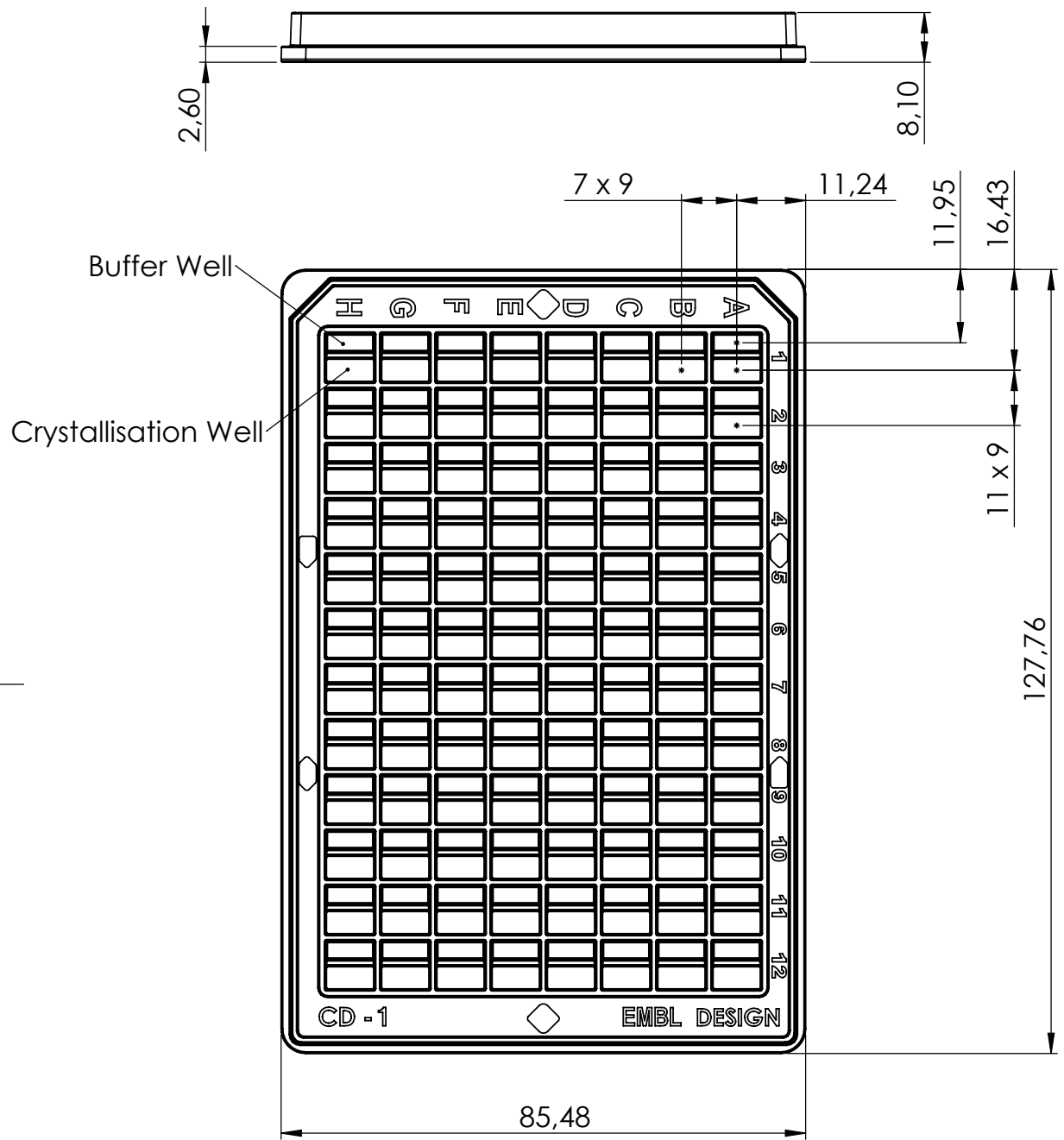


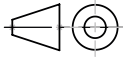

1 2 3 4

A
B
C
D
E



Crystal Direct™

CD1- Outer dimensions

Material : COC	That document is the exclusive property of EMBL Any use or reproduction is forbidden without prior authorization				EMBL Grenoble outstation
DRN : FELISAZ	Date : 10-04-2016	Scale : 1:1	A4		

F

1

2

3

4

A

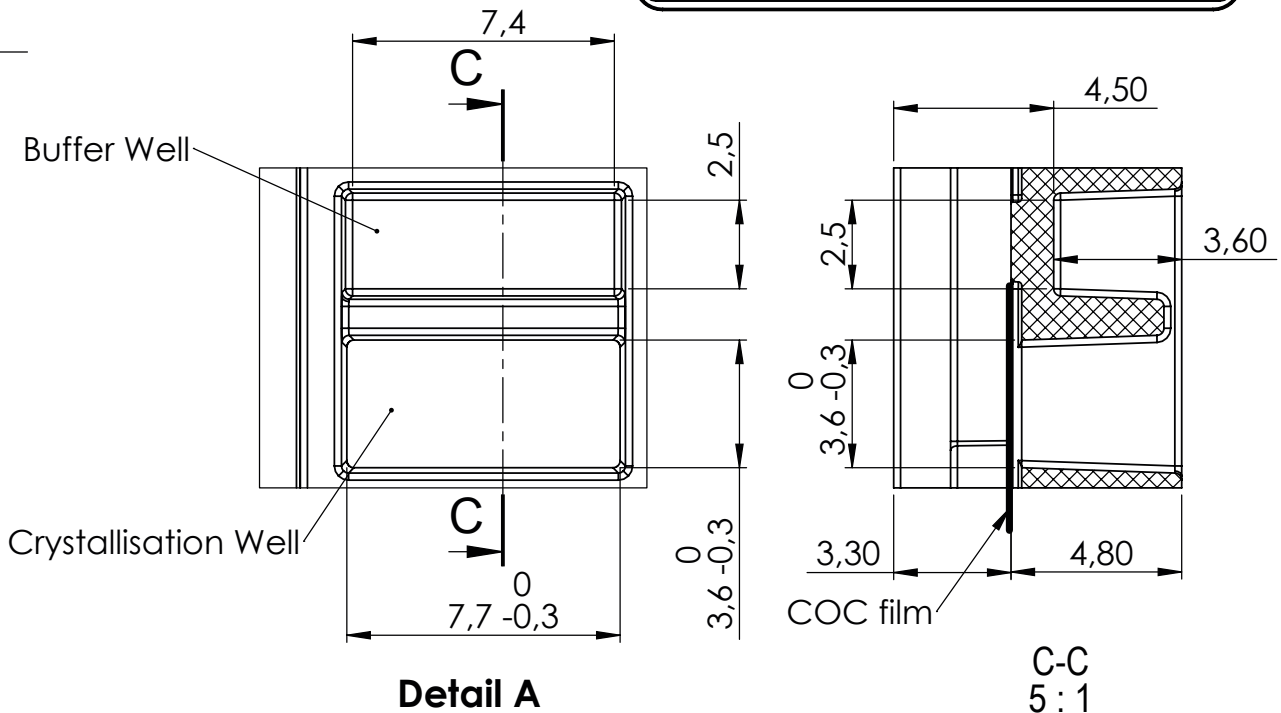
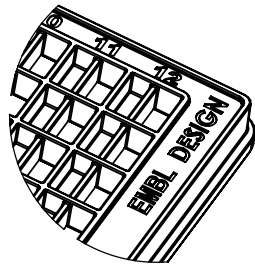
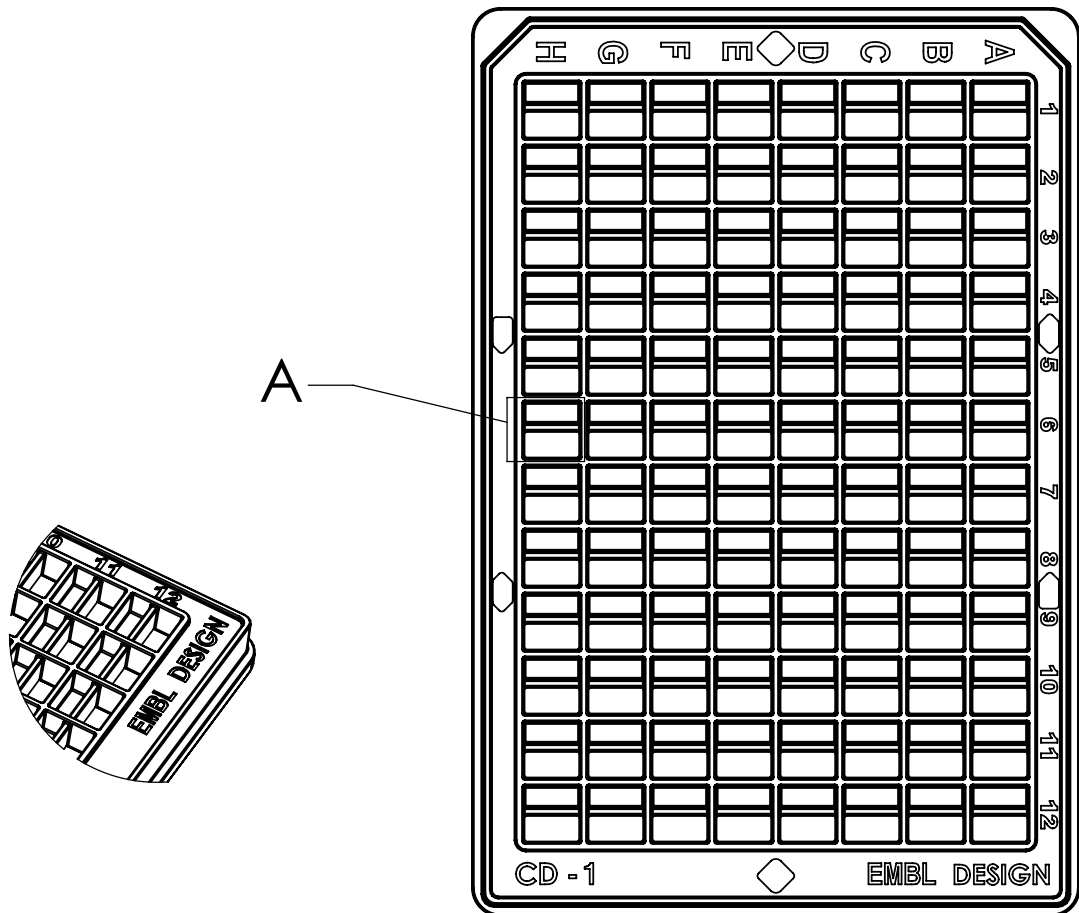
B

C

D

E

F



Crystal Direct™ CD1-Plate - Well dimensions

Material : COC

That document is the exclusive property of EMBL.
Any use or reproduction is forbidden without prior authorization
EMBL
Grenoble outstation

DRN : FELISAZ

Date : 10-04-2016

Scale : 1:1

A4